

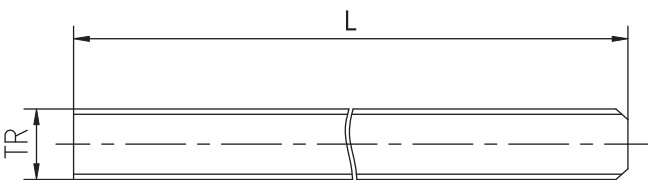
## 梯形螺纹丝杆 Lead screws with trapezoidal thread



### 产品特性 Product features

- 左旋和右旋螺纹可选
- 可选材料：C45钢和不锈钢
- 可以根据客户图纸加工
- Thread: right- or left-hand
- Available materials: C45 steel /304 stainless steel
- Length and machining according to customer drawing

### 标准规格 Standard specifications



产品编码 Part No.:

TLS-8 × 1.5R-N1-ES-0000

- 长度 Length
- 不锈钢 Stainless steel
- 螺纹数 Thread numble
- R-右旋Right L-左旋Left
- 螺纹 Thread

| 产品编码<br>Part No.        | 直径<br>Outer diameter<br>[mm] | 齿根直径<br>Core diameter<br>[mm] | 导程<br>Lead<br>S[mm] | 螺距<br>Pitch<br>P[mm] | 螺纹角<br>Pitch angle<br>$\alpha$ [°] | 头数<br>Numbre of threads<br>N [pcs] | 重量<br>Weight<br>[kg/m] |
|-------------------------|------------------------------|-------------------------------|---------------------|----------------------|------------------------------------|------------------------------------|------------------------|
| TLS-8 × 1.5R-N1-ES-0000 | 8                            | 6.2                           | 1.5                 | 1.5                  | 3.42                               | 1                                  | 0.40                   |
| TLS-10 × 2R-N1-ES-0000  | 10                           | 7.5                           | 2                   | 2                    | 3.64                               | 1                                  | 0.62                   |
| TLS-10 × 3R-N1-ES-0000  | 10                           | 6.5                           | 3                   | 3                    | 5.45                               | 1                                  | 0.89                   |
| TLS-10 × 4R-N2-ES-0000  | 10                           | 7.5                           | 4                   | 2                    | 7.26                               | 2                                  | 0.62                   |
| TLS-12 × 3R-N1-ES-0000  | 12                           | 8.5                           | 3                   | 3                    | 4.55                               | 1                                  | 0.89                   |
| TLS-12 × 6R-N2-ES-0000  | 12                           | 8.5                           | 6                   | 3                    | 9.04                               | 2                                  | 0.89                   |
| TLS-14 × 3R-N1-ES-0000  | 14                           | 10.5                          | 3                   | 3                    | 3.9                                | 1                                  | 1.22                   |
| TLS-14 × 4R-N1-ES-0000  | 14                           | 9.5                           | 4                   | 4                    | 5.2                                | 1                                  | 1.22                   |
| TLS-16 × 2R-N1-ES-0000  | 16                           | 12.8                          | 2                   | 2                    | 2.28                               | 1                                  | 1.59                   |
| TLS-16 × 4R-N1-ES-0000  | 16                           | 11.5                          | 4                   | 4                    | 4.55                               | 1                                  | 1.59                   |
| TLS-16 × 8R-N2-ES-0000  | 16                           | 11.5                          | 8                   | 4                    | 9.04                               | 2                                  | 1.59                   |
| TLS-18 × 4R-N1-ES-0000  | 18                           | 13.5                          | 4                   | 4                    | 4.05                               | 1                                  | 2.01                   |
| TLS-18 × 8R-N2-ES-0000  | 18                           | 13.5                          | 8                   | 4                    | 8.05                               | 2                                  | 2.01                   |
| TLS-20 × 4R-N1-ES-0000  | 20                           | 15.5                          | 4                   | 4                    | 3.64                               | 1                                  | 2.48                   |
| TLS-24 × 5R-N1-ES-0000  | 24                           | 18.5                          | 5                   | 5                    | 3.79                               | 1                                  | 3.57                   |
| TLS-26 × 5R-N1-ES-0000  | 26                           | 20.5                          | 5                   | 5                    | 3.5                                | 1                                  | 4.19                   |
| TLS-28 × 5R-N1-ES-0000  | 28                           | 22.5                          | 5                   | 5                    | 3.25                               | 1                                  | 4.86                   |
| TLS-30 × 6R-N1-ES-0000  | 30                           | 23                            | 6                   | 6                    | 3.64                               | 1                                  | 5.58                   |

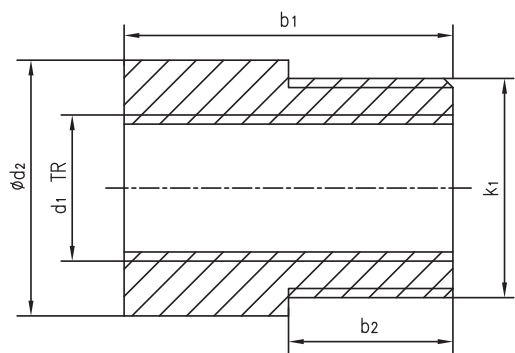
### 圆柱螺母 Lead screw nuts, round



#### 产品特性 Product features

- 自润滑、低磨损
- 极低的摩擦系数
- 耐腐蚀，可用于液体介质环境
- 抵抗灰尘和无噪音运行
- 可选材料：EPB13, EPB7, EPB5A
- Self lubricating and lower wear
- Best coefficient of friction
- Chemical resistant
- Dust resistant and quiet running
- Available materials: EPB13, EPB7 and EPB5A

#### 标准规格 Standard specifications



产品编码 Part No.:

SNR-1812TR8 × 1.5R-N1

- 螺纹数 Thread numble
- R-右旋 Right L-左旋 Left
- 内螺纹 Inner Thread  $d_1 \times s$
- 长度 Length
- 外径 Outer diameter

| 产品编码<br>Part No.      | $d_2$<br>[mm] | $b_1$<br>[mm] | $d_1 \times s$<br>[mm] | 头数<br>Numb of threads<br>N [pcs] | $k_1 \times p$<br>[mm] | $b_2$<br>[mm] |
|-----------------------|---------------|---------------|------------------------|----------------------------------|------------------------|---------------|
| SNR-1812TR8 × 1.5R-N1 | 18            | 12            | TR8 × 1.5              | 1                                | M16 × 1.5              | 6             |
| SNR-2220TR10 × 2R-N1  | 22            | 20            | TR10 × 2               | 1                                | M20 × 1.5              | 10            |
| SNR-2220TR10 × 3R-N1  | 22            | 20            | TR10 × 3               | 1                                | M20 × 1.5              | 10            |
| SNR-2220TR10 × 4R-N2  | 22            | 20            | TR10 × 4               | 2                                | M20 × 1.5              | 10            |
| SNR-2624TR12 × 3R-N1  | 26            | 24            | TR12 × 3               | 1                                | M24 × 2                | 12            |
| SNR-2624TR12 × 6R-N2  | 26            | 24            | TR12 × 6               | 2                                | M24 × 2                | 12            |
| SNR-3028TR14 × 3R-N1  | 30            | 28            | TR14 × 3               | 1                                | M27 × 2                | 14            |
| SNR-3028TR14 × 4R-N1  | 30            | 28            | TR14 × 4               | 1                                | M27 × 2                | 14            |
| SNR-3632TR16 × 2R-N1  | 36            | 32            | TR16 × 2               | 1                                | M33 × 2                | 16            |
| SNR-3632TR16 × 4R-N1  | 36            | 32            | TR16 × 4               | 1                                | M33 × 2                | 16            |
| SNR-3632TR16 × 8R-N2  | 36            | 32            | TR16 × 8               | 2                                | M33 × 2                | 16            |
| SNR-4036TR18 × 4R-N1  | 40            | 36            | TR18 × 4               | 1                                | M36 × 3                | 18            |
| SNR-4036TR18 × 8R-N2  | 40            | 36            | TR18 × 8               | 2                                | M36 × 3                | 18            |
| SNR-4540TR20 × 4R-N1  | 45            | 40            | TR20 × 4               | 1                                | M42 × 3                | 20            |
| SNR-5048TR24 × 5R-N1  | 50            | 48            | TR24 × 5               | 1                                | M48 × 3                | 24            |
| SNR-5052TR26 × 5R-N1  | 50            | 52            | TR26 × 5               | 1                                | M48 × 3                | 26            |
| SNR-6056TR28 × 5R-N1  | 60            | 56            | TR28 × 5               | 1                                | M56 × 4                | 28            |
| SNR-6060TR30 × 6R-N1  | 60            | 60            | TR30 × 6               | 1                                | M56 × 4                | 30            |

| 产品编码<br>Part No.      | 有效接触面积<br>Effective supporting surface<br>[mm <sup>2</sup> ] | 最大轴向静载荷<br>Max. stat. axial F<br>[N] | 效率<br>Efficiency<br>$\eta$ | 摩擦系数<br>Coefficient of friction<br>$\mu$ | 重量<br>Weight<br>[g] |
|-----------------------|--|--------------------------------------|----------------------------|--|---------------------|
| SNR-1812TR8 × 1.5R-N1 | 137  | 547                                  | 19-27                      | 0.1-0.25                                 | 3.7                 |
| SNR-2220TR10 × 2R-N1  | 283  | 1131                                 | 20-39                      | 0.1-0.25                                 | 9.0                 |
| SNR-2220TR10 × 3R-N1  | 267  | 1068                                 | 27-48                      | 0.1-0.25                                 | 9.0                 |
| SNR-2220TR10 × 4R-N2  | 282  | 1127                                 | 33-55                      | 0.1-0.25                                 | 9.0                 |
| SNR-2624TR12 × 3R-N1  | 396  | 1583                                 | 24-44                      | 0.1-0.25                                 | 14.9                |
| SNR-2624TR12 × 6R-N2  | 396  | 1583                                 | 37-60                      | 0.1-0.25                                 | 14.9                |
| SNR-3028TR14 × 3R-N1  | 550  | 2199                                 | 24-40                      | 0.1-0.25                                 | 23.1                |
| SNR-3028TR14 × 4R-N1  | 528  | 2111                                 | 26-47                      | 0.1-0.25                                 | 23.1                |
| SNR-3632TR16 × 2R-N1  | 754  | 3016                                 | 14-28                      | 0.1-0.25                                 | 38.9                |
| SNR-3632TR16 × 4R-N1  | 704  | 2815                                 | 24-44                      | 0.1-0.25                                 | 38.9                |
| SNR-3632TR16 × 8R-N2  | 704  | 2815                                 | 37-60                      | 0.1-0.25                                 | 38.9                |
| SNR-4036TR18 × 4R-N1  | 905  | 3619                                 | 22-41                      | 0.1-0.25                                 | 53.8                |
| SNR-4036TR18 × 8R-N2  | 905  | 3619                                 | 35-58                      | 0.1-0.25                                 | 53.8                |
| SNR-4540TR20 × 4R-N1  | 1131   | 4524                                 | 20-39                      | 0.1-0.25                                 | 76.1                |
| SNR-5048TR24 × 5R-N1  | 1621   | 6484                                 | 21-40                      | 0.1-0.25                                 | 108.1               |
| SNR-5052TR26 × 5R-N1  | 1920   | 7678                                 | 19-38                      | 0.1-0.25                                 | 111.0               |
| SNR-6056TR28 × 5R-N1  | 2243   | 8972                                 | 18-36                      | 0.1-0.25                                 | 184.5               |
| SNR-6060TR30 × 6R-N1  | 2545   | 10179                                | 20-39                      | 0.1-0.25                                 | 189.6               |

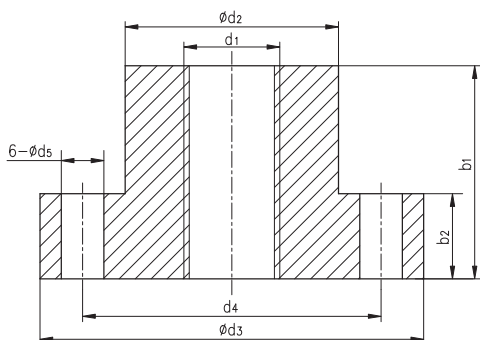
## 圆柱法兰螺母 Lead screw nuts, round flange



### 产品特性 Product features

- 自润滑、低磨损
- 螺丝固定，易安装
- 极低的摩擦系数
- 耐腐蚀，可用于液体介质环境
- 抵抗灰尘和无噪音运行
- 可选材料：EPB13, EPB7, EPB5A
- Self lubricating and lower wear
- Easy installation with bolts
- Best coefficient of friction
- Chemical resistant
- Dust resistant and quiet running
- Available materials: EPB13, EPB7 and EPB5A

## 标准规格 Standard specifications



产品编码 Part No.:

SNRF-2020TR8 × 1.5R-N1

- 螺纹数 Thread numble
- R-右旋Right L-左旋Left
- 内螺纹 Inner thread  $d_1 \times s$
- 长度 Length
- 外径 Outer diameter

| 产品编码<br>Part No.       | d <sub>2</sub><br>[mm] | b <sub>1</sub><br>[mm] | d <sub>3</sub><br>[mm] | b <sub>2</sub><br>[mm] | d <sub>4</sub><br>[mm] | d <sub>5</sub><br>[mm] | d <sub>1</sub> × s<br>[mm] | 头数<br>Number of threads<br>N [pcs] |
|------------------------|------------------------|------------------------|------------------------|------------------------|------------------------|------------------------|----------------------------|------------------------------------|
| SNRF-2020TR8 × 1.5R-N1 | 20                     | 20                     | 36                     | 8                      | 28                     | 4                      | TR8 × 1.5                  | 1                                  |
| SNRF-2525TR10 × 2R-N1  | 25                     | 25                     | 42                     | 10                     | 34                     | 5                      | TR10 × 2                   | 1                                  |
| SNRF-2525TR10 × 3R-N1  | 25                     | 25                     | 42                     | 10                     | 34                     | 5                      | TR10 × 3                   | 1                                  |
| SNRF-2525TR10 × 4R-N2  | 25                     | 25                     | 42                     | 10                     | 34                     | 5                      | TR10 × 4                   | 2                                  |
| SNRF-2835TR12 × 3R-N1  | 28                     | 35                     | 48                     | 12                     | 38                     | 6                      | TR12 × 3                   | 1                                  |
| SNRF-2835TR12 × 6R-N2  | 28                     | 35                     | 48                     | 12                     | 38                     | 6                      | TR12 × 6                   | 2                                  |
| SNRF-2835TR14 × 3R-N1  | 28                     | 35                     | 48                     | 12                     | 38                     | 6                      | TR14 × 3                   | 1                                  |
| SNRF-2835TR14 × 4R-N1  | 28                     | 35                     | 48                     | 12                     | 38                     | 6                      | TR14 × 4                   | 1                                  |
| SNRF-2835TR16 × 2R-N1  | 28                     | 35                     | 48                     | 12                     | 38                     | 6                      | TR16 × 2                   | 1                                  |
| SNRF-2835TR16 × 4R-N1  | 28                     | 35                     | 48                     | 12                     | 38                     | 6                      | TR16 × 4                   | 1                                  |
| SNRF-2835TR16 × 8R-N2  | 28                     | 35                     | 48                     | 12                     | 38                     | 6                      | TR16 × 8                   | 2                                  |
| SNRF-2835TR18 × 4R-N1  | 28                     | 35                     | 48                     | 12                     | 38                     | 6                      | TR18 × 4                   | 1                                  |
| SNRF-2835TR18 × 8R-N2  | 28                     | 35                     | 48                     | 12                     | 38                     | 6                      | TR18 × 8                   | 2                                  |
| SNRF-3244TR20 × 4R-N1  | 32                     | 44                     | 55                     | 12                     | 45                     | 7                      | TR20 × 4                   | 1                                  |
| SNRF-3244TR24 × 5R-N1  | 32                     | 44                     | 55                     | 12                     | 45                     | 7                      | TR24 × 5                   | 1                                  |
| SNRF-3846TR26 × 5R-N1  | 38                     | 46                     | 62                     | 14                     | 50                     | 7                      | TR26 × 5                   | 1                                  |
| SNRF-3846TR28 × 5R-N1  | 38                     | 46                     | 62                     | 14                     | 50                     | 7                      | TR28 × 5                   | 1                                  |
| SNRF-3846TR30 × 6R-N1  | 38                     | 46                     | 62                     | 14                     | 50                     | 7                      | TR30 × 6                   | 1                                  |

| 产品编码<br>Part No.       | 有效接触面积<br>Effective supporting surface<br>[mm <sup>2</sup> ] | 最大轴向静载荷<br>Max. stat. axial F<br>[N] | 效率<br>Efficiency<br>η | 摩擦系数<br>Coefficient of friction<br>μ | 重量<br>Weight<br>[g] |
|------------------------|--|--------------------------------------|-----------------------|--------------------------------------|---------------------|
| SNRF-2020TR8 × 1.5R-N1 | 228  | 911                                  | 19-27                 | 0.1-0.25                             | 16.3                |
| SNRF-2525TR10 × 2R-N1  | 353  | 1414                                 | 20-39                 | 0.1-0.25                             | 28.7                |
| SNRF-2525TR10 × 3R-N1  | 334  | 1335                                 | 27-48                 | 0.1-0.25                             | 28.7                |
| SNRF-2525TR10 × 4R-N2  | 353  | 1412                                 | 33-55                 | 0.1-0.25                             | 28.7                |
| SNRF-2835TR12 × 3R-N1  | 577  | 2309                                 | 24-44                 | 0.1-0.25                             | 47.6                |
| SNRF-2835TR12 × 6R-N2  | 577  | 2309                                 | 37-60                 | 0.1-0.25                             | 47.6                |
| SNRF-2835TR14 × 3R-N1  | 687  | 2749                                 | 24-40                 | 0.1-0.25                             | 45.4                |
| SNRF-2835TR14 × 4R-N1  | 660  | 2639                                 | 26-47                 | 0.1-0.25                             | 45.4                |
| SNRF-2835TR16 × 2R-N1  | 825  | 3299                                 | 14-28                 | 0.1-0.25                             | 43.0                |
| SNRF-2835TR16 × 4R-N1  | 770  | 3079                                 | 24-44                 | 0.1-0.25                             | 43.0                |
| SNRF-2835TR16 × 8R-N2  | 770  | 3079                                 | 37-60                 | 0.1-0.25                             | 43.0                |
| SNRF-2835TR18 × 4R-N1  | 880  | 3519                                 | 22-41                 | 0.1-0.25                             | 40.2                |
| SNRF-2835TR18 × 8R-N2  | 880  | 3519                                 | 35-58                 | 0.1-0.25                             | 40.2                |
| SNRF-3244TR20 × 4R-N1  | 1244   | 4976                                 | 20-39                 | 0.1-0.25                             | 60.2                |
| SNRF-3244TR24 × 5R-N1  | 1486   | 5944                                 | 21-40                 | 0.1-0.25                             | 51.2                |
| SNRF-3846TR26 × 5R-N1  | 1698   | 6320                                 | 19-38                 | 0.1-0.25                             | 80.7                |
| SNRF-3846TR28 × 5R-N1  | 1843   | 4560                                 | 18-36                 | 0.1-0.25                             | 74.8                |
| SNRF-3846TR30 × 6R-N1  | 1951   | 3576                                 | 20-39                 | 0.1-0.25                             | 68.6                |

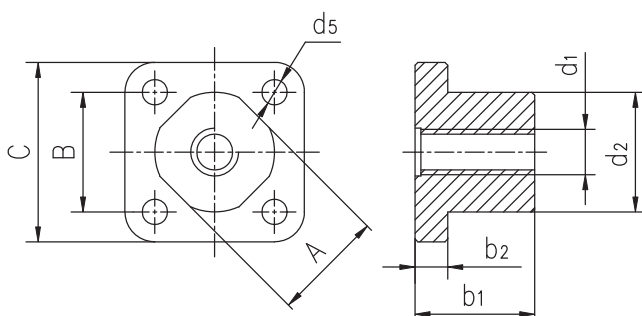
## 方法兰螺母 Lead screw nuts, square flange



### 产品特性 Product features

- 自润滑、低磨损
- 高效率传动
- 螺丝固定易安装
- 极低的摩擦系数
- 耐腐蚀，可用于液体介质环境
- 抵抗灰尘和无噪音运行
- 可选材料：EPB13, EPB7, EPB5A
- Self lubricating and lower wear
- High efficiency drive
- Easy installation with bolts
- Best coefficient of friction
- Chemical resistant
- Dust resistant and quiet running
- Available materials: EPB13, EPB7 and EPB5A

### 标准规格 Standard specifications



产品编码 Part No.:

SNSF-202030TR8 × 1.5R-N1

- 螺纹数 Thread number
- R-右旋Right L-左旋Left
- 内螺纹 Inner thread  $d_1 \times s$
- 法兰边长 Flange width
- 长度 Length
- 外径 Outer diameter

| 产品编码<br>Part No.         | $d_2$<br>[mm] | $b_1$<br>[mm] | A<br>[mm] | B<br>[mm] | C<br>[mm] | $b_2$<br>[mm] | $d_5$<br>[mm] | $d_1 \times s$<br>[mm] | 头数<br>N [pcs] |
|--------------------------|---------------|---------------|-----------|-----------|-----------|---------------|---------------|------------------------|---------------|
| SNSF-202030TR8 × 1.5R-N1 | 20            | 20            | 19        | 20        | 30        | 5.5           | 4.2           | TR8 × 1.5              | 1             |
| SNSF-202030TR10 × 2R-N1  | 20            | 20            | 19        | 20        | 30        | 5.5           | 4.2           | TR10 × 2               | 1             |
| SNSF-202030TR10 × 3R-N1  | 20            | 20            | 19        | 20        | 30        | 5.5           | 4.2           | TR10 × 3               | 1             |
| SNSF-202030TR10 × 4R-N2  | 20            | 20            | 19        | 20        | 30        | 5.5           | 4.2           | TR10 × 4               | 2             |
| SNSF-242534TR12 × 3R-N1  | 24            | 25            | 22.6      | 24        | 34        | 6             | 5             | TR12 × 3               | 1             |
| SNSF-242534TR12 × 6R-N2  | 24            | 25            | 22.6      | 24        | 34        | 6             | 5             | TR12 × 6               | 2             |
| SNSF-242534TR14 × 3R-N1  | 24            | 25            | 22.6      | 24        | 34        | 6             | 5             | TR14 × 3               | 1             |
| SNSF-242534TR14 × 4R-N1  | 24            | 25            | 22.6      | 24        | 34        | 6             | 5             | TR14 × 4               | 1             |
| SNSF-282538TR16 × 2R-N1  | 28            | 25            | 25.5      | 27        | 38        | 6.5           | 6             | TR16 × 2               | 1             |
| SNSF-282538TR16 × 4R-N1  | 28            | 25            | 25.5      | 27        | 38        | 6.5           | 6             | TR16 × 4               | 1             |
| SNSF-282538TR16 × 8R-N2  | 28            | 25            | 25.5      | 27        | 38        | 6.5           | 6             | TR16 × 8               | 2             |
| SNSF-282538TR18 × 4R-N1  | 28            | 25            | 25.5      | 27        | 38        | 6.5           | 6             | TR18 × 4               | 1             |
| SNSF-282538TR18 × 8R-N2  | 28            | 25            | 25.5      | 27        | 38        | 6.5           | 6             | TR18 × 8               | 2             |

| 产品编码<br>Part No.         | 有效接触面积<br>Effective supporting surface<br>[mm <sup>2</sup> ] | 最大轴向静载荷<br>Max. stat. axial F<br>[N] | 效率<br>Efficiency<br>$\eta$ | 摩擦系数<br>Coefficient of friction<br>$\mu$ | 重量<br>Weight<br>[g] |
|--------------------------|--|--------------------------------------|----------------------------|--|---------------------|
| SNSF-202030TR8 × 1.5R-N1 | 228  | 911                                  | 19-27                      | 0.1-0.25                                 | 12.66               |
| SNSF-202030TR10 × 2R-N1  | 283  | 1131                                 | 20-39                      | 0.1-0.25                                 | 11.82               |
| SNSF-202030TR10 × 3R-N1  | 267  | 1068                                 | 27-48                      | 0.1-0.25                                 | 11.82               |
| SNSF-202030TR10 × 4R-N2  | 282  | 1127                                 | 33-55                      | 0.1-0.25                                 | 11.82               |
| SNSF-242534TR12 × 3R-N1  | 412  | 1649                                 | 24-44                      | 0.1-0.25                                 | 18.93               |
| SNSF-242534TR12 × 6R-N2  | 412  | 1649                                 | 37-60                      | 0.1-0.25                                 | 18.93               |
| SNSF-242534TR14 × 3R-N1  | 491  | 1963                                 | 24-40                      | 0.1-0.25                                 | 17.41               |
| SNSF-242534TR14 × 4R-N1  | 471  | 1885                                 | 26-47                      | 0.1-0.25                                 | 17.41               |
| SNSF-282538TR16 × 2R-N1  | 589  | 2356                                 | 14-28                      | 0.1-0.25                                 | 22.85               |
| SNSF-282538TR16 × 4R-N1  | 550  | 2199                                 | 24-44                      | 0.1-0.25                                 | 22.85               |
| SNSF-282538TR16 × 8R-N2  | 550  | 2199                                 | 37-60                      | 0.1-0.25                                 | 22.85               |
| SNSF-282538TR18 × 4R-N1  | 628  | 2513                                 | 22-41                      | 0.1-0.25                                 | 21.48               |
| SNSF-282538TR18 × 8R-N2  | 628  | 2513                                 | 35-58                      | 0.1-0.25                                 | 21.48               |

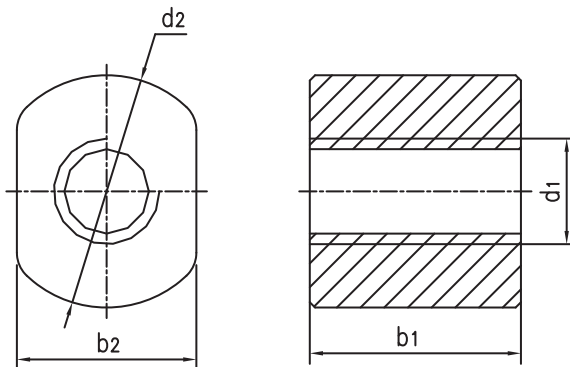
### 扁螺母 Lead screw nuts with spanner flat



#### 产品特性 Product features

- 自润滑、低磨损
- 极低的摩擦系数
- 耐腐蚀，可用于液体介质环境
- 抵抗灰尘和无噪音运行
- 节约空间，安装简易
- 可选材料：EPB13, EPB7, EPB5A
- Self lubricating and lower wear
- Best coefficient of friction
- Chemical resistant
- Dust resistant and quiet running
- Save space and easy installation
- Available materials: EPB13, EPB7 and EPB5A

### 标准规格 Standard specifications



产品编码 Part No.:

SNF-192020TR8 × 1.5R-N1

- 螺纹数 Thread numble
- R-右旋Right L-左旋Left
- 内螺纹 Inner thread  $d_1 \times s$
- 法兰边长 Flange width
- 长度 Length
- 外径 Outer diameter

| 产品编码<br>Part No.        | d <sub>2</sub><br>[mm] | b <sub>2</sub><br>[mm] | b <sub>1</sub><br>[mm] | d <sub>1</sub> × s<br>[mm] | 头数<br>Number of threads<br>N [pcs] |
|-------------------------|------------------------|------------------------|------------------------|----------------------------|------------------------------------|
| SNF-192020TR8 × 1.5R-N1 | 20                     | 19                     | 20                     | TR8 × 1.5                  | 1                                  |
| SNF-192020TR10 × 2R-N1  | 20                     | 19                     | 20                     | TR10 × 2                   | 1                                  |
| SNF-192020TR10 × 3R-N1  | 20                     | 19                     | 20                     | TR10 × 3                   | 1                                  |
| SNF-192020TR10 × 4R-N2  | 20                     | 19                     | 20                     | TR10 × 4                   | 2                                  |
| SNF-222425TR12 × 3R-N1  | 24                     | 22.6                   | 25                     | TR12 × 3                   | 1                                  |
| SNF-222425TR12 × 6R-N2  | 24                     | 22.6                   | 25                     | TR12 × 6                   | 2                                  |
| SNF-222425TR14 × 3R-N1  | 24                     | 22.6                   | 25                     | TR14 × 3                   | 1                                  |
| SNF-222425TR14 × 4R-N1  | 24                     | 22.6                   | 25                     | TR14 × 4                   | 1                                  |
| SNF-252825TR16 × 2R-N1  | 28                     | 25.5                   | 25                     | TR16 × 2                   | 1                                  |
| SNF-252825TR16 × 4R-N1  | 28                     | 25.5                   | 25                     | TR16 × 4                   | 1                                  |
| SNF-252825TR16 × 8R-N2  | 28                     | 25.5                   | 25                     | TR16 × 8                   | 2                                  |
| SNF-252825TR18 × 4R-N1  | 28                     | 25.5                   | 25                     | TR18 × 4                   | 1                                  |
| SNF-252825TR18 × 8R-N2  | 28                     | 25.5                   | 25                     | TR18 × 8                   | 2                                  |

| 产品编码<br>Part No.        | 有效接触面积<br>Effective supporting surface<br>[mm <sup>2</sup> ] | 最大轴向静载荷<br>Max. stat. axial F<br>[N] | 效率<br>Efficiency<br>η | 摩擦系数<br>Coefficient of friction<br>μ | 重量<br>Weight<br>[g] |
|-------------------------|--|--------------------------------------|-----------------------|--------------------------------------|---------------------|
| SNF-192020TR8 × 1.5R-N1 | 228  | 500                                  | 19-27                 | 0.1-0.25                             | 7.86                |
| SNF-192020TR10 × 2R-N1  | 283  | 1131                                 | 20-39                 | 0.1-0.25                             | 7.02                |
| SNF-192020TR10 × 3R-N1  | 267  | 1068                                 | 27-48                 | 0.1-0.25                             | 7.02                |
| SNF-192020TR10 × 4R-N2  | 282  | 1127                                 | 33-55                 | 0.1-0.25                             | 7.02                |
| SNF-222425TR12 × 3R-N1  | 412  | 1649                                 | 24-44                 | 0.1-0.25                             | 12.64               |
| SNF-222425TR12 × 6R-N2  | 412  | 1649                                 | 37-60                 | 0.1-0.25                             | 12.64               |
| SNF-222425TR14 × 3R-N1  | 491  | 1963                                 | 24-40                 | 0.1-0.25                             | 11.12               |
| SNF-222425TR14 × 4R-N1  | 471  | 1885                                 | 26-47                 | 0.1-0.25                             | 11.12               |
| SNF-252825TR16 × 2R-N1  | 589  | 2356                                 | 14-28                 | 0.1-0.25                             | 15.45               |
| SNF-252825TR16 × 4R-N1  | 550  | 2199                                 | 24-44                 | 0.1-0.25                             | 15.45               |
| SNF-252825TR16 × 8R-N2  | 550  | 2199                                 | 37-60                 | 0.1-0.25                             | 15.45               |
| SNF-252825TR18 × 4R-N1  | 628  | 2362                                 | 22-41                 | 0.1-0.25                             | 13.46               |
| SNF-252825TR18 × 8R-N2  | 628  | 2362                                 | 35-58                 | 0.1-0.25                             | 13.46               |

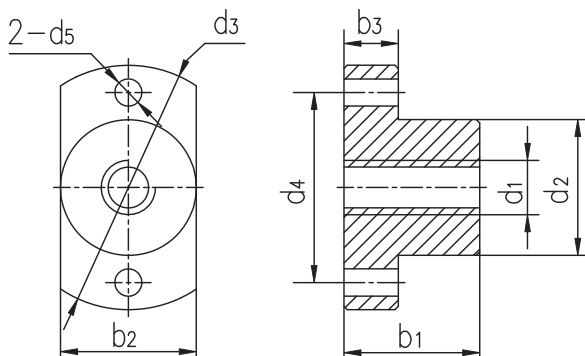
## 扁法兰螺母 Lead screw nuts with flat flange



### 产品特性 Product features

- 自润滑、低磨损
- 节约空间，螺丝固定易装配
- 极低的摩擦系数
- 耐腐蚀，可用于液体介质环境
- 抵抗灰尘和无噪音运行
- 可选材料：EPB13, EPB7, EPB5A
- Self lubricating and lower wear
- Save space and Easy installation with bolts
- Best coefficient of friction
- Chemical resistant
- Dust resistant and quiet running
- Available materials: EPB13, EPB7 and EPB5A

### 标准规格 Standard specifications



产品编码 Part No.:

SNFF-2020TR8 × 1.5R-N1

螺纹数 Thread number  
 R-右旋Right L-左旋Left  
 内螺纹 Inner thread  $d_1 \times s$   
 长度 Length  
 外径 Outer diameter

| 产品编码<br>Part No.       | $d_2$<br>[mm] | $b_1$<br>[mm] | $d_3$<br>[mm] | $b_3$<br>[mm] | $b_2$<br>[mm] | $d_1$<br>[mm] | $d_5$<br>[mm] | $d_1 \times s$<br>[mm] | 头数<br>Number of threads<br>N [pcs] |
|------------------------|---------------|---------------|---------------|---------------|---------------|---------------|---------------|------------------------|------------------------------------|
| SNFF-2020TR8 × 1.5R-N1 | 20            | 20            | 36            | 8             | 20            | 28            | 4             | TR8 × 1.5              | 1                                  |
| SNFF-2525TR10 × 2R-N1  | 25            | 25            | 42            | 10            | 25            | 34            | 5             | TR10 × 2               | 1                                  |
| SNFF-2525TR10 × 3R-N1  | 25            | 25            | 42            | 10            | 25            | 34            | 5             | TR10 × 3               | 1                                  |
| SNFF-2525TR10 × 4R-N2  | 25            | 25            | 42            | 10            | 25            | 34            | 5             | TR10 × 4               | 2                                  |
| SNFF-2835TR12 × 3R-N1  | 28            | 35            | 48            | 12            | 28            | 38            | 6             | TR12 × 3               | 1                                  |
| SNFF-2835TR12 × 6R-N2  | 28            | 35            | 48            | 12            | 28            | 38            | 6             | TR12 × 6               | 2                                  |
| SNFF-2835TR14 × 3R-N1  | 28            | 35            | 48            | 12            | 28            | 38            | 6             | TR14 × 3               | 1                                  |
| SNFF-2835TR14 × 4R-N1  | 28            | 35            | 48            | 12            | 28            | 38            | 6             | TR14 × 4               | 1                                  |
| SNFF-2835TR16 × 2R-N1  | 28            | 35            | 48            | 12            | 28            | 38            | 6             | TR16 × 2               | 1                                  |
| SNFF-2835TR16 × 4R-N1  | 28            | 35            | 48            | 12            | 28            | 38            | 6             | TR16 × 4               | 1                                  |
| SNFF-2835TR16 × 8R-N2  | 28            | 35            | 48            | 12            | 28            | 38            | 6             | TR16 × 8               | 2                                  |
| SNFF-2835TR18 × 4R-N1  | 28            | 35            | 48            | 12            | 28            | 38            | 6             | TR18 × 4               | 1                                  |
| SNFF-2835TR18 × 8R-N2  | 28            | 35            | 48            | 12            | 28            | 38            | 6             | TR18 × 8               | 2                                  |

| 产品编码<br>Part No.       | 有效接触面积<br>Effective supporting surface<br>[mm <sup>2</sup> ] | 最大轴向静载荷<br>Max. stat. axial F<br>[N] | 效率<br>Efficiency<br>$\eta$ | 摩擦系数<br>Coefficient of friction<br>$\mu$ | 重量Weight<br>[g] |
|------------------------|--|--------------------------------------|----------------------------|--|-----------------|
| SNFF-2020TR8 × 1.5R-N1 | 228  | 911                                  | 19-27                      | 0.1-0.25                                 | 12.7            |
| SNFF-2525TR10 × 2R-N1  | 353  | 1414                                 | 20-39                      | 0.1-0.25                                 | 23.7            |
| SNFF-2525TR10 × 3R-N1  | 334  | 1335                                 | 27-48                      | 0.1-0.25                                 | 23.7            |
| SNFF-2525TR10 × 4R-N2  | 353  | 1412                                 | 33-55                      | 0.1-0.25                                 | 23.7            |
| SNFF-2835TR12 × 3R-N1  | 577  | 2309                                 | 24-44                      | 0.1-0.25                                 | 39.2            |
| SNFF-2835TR12 × 6R-N2  | 577  | 2309                                 | 37-60                      | 0.1-0.25                                 | 39.2            |
| SNFF-2835TR14 × 3R-N1  | 660  | 2639                                 | 24-40                      | 0.1-0.25                                 | 37.1            |
| SNFF-2835TR14 × 4R-N1  | 660  | 2639                                 | 26-47                      | 0.1-0.25                                 | 37.1            |
| SNFF-2835TR16 × 2R-N1  | 825  | 3299                                 | 14-28                      | 0.1-0.25                                 | 34.6            |
| SNFF-2835TR16 × 4R-N1  | 770  | 3079                                 | 24-44                      | 0.1-0.25                                 | 34.6            |
| SNFF-2835TR16 × 8R-N2  | 770  | 3079                                 | 37-60                      | 0.1-0.25                                 | 34.6            |
| SNFF-2835TR18 × 4R-N1  | 880  | 3519                                 | 22-41                      | 0.1-0.25                                 | 31.9            |
| SNFF-2835TR18 × 8R-N2  | 880  | 3519                                 | 35-58                      | 0.1-0.25                                 | 31.9            |